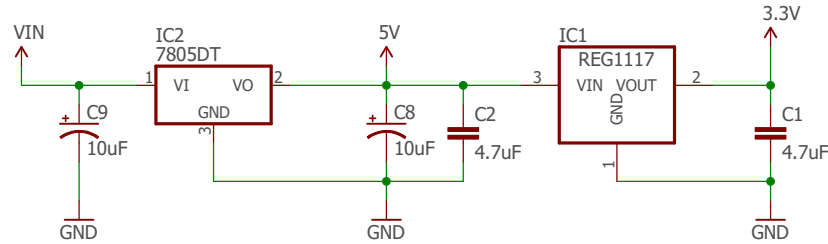
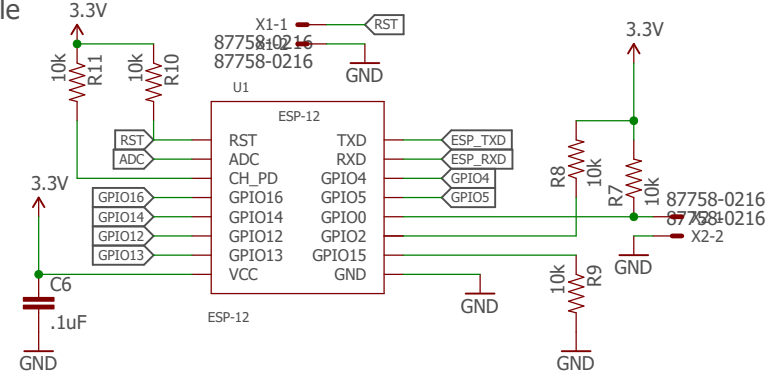


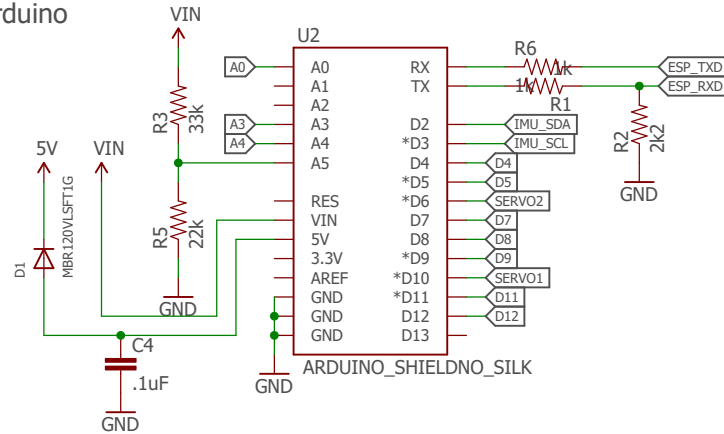
DC-DC Converters



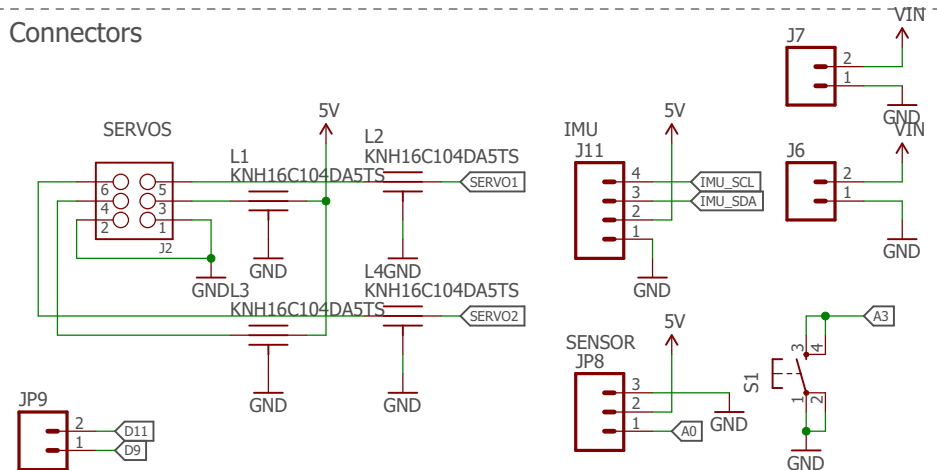
WiFi Module



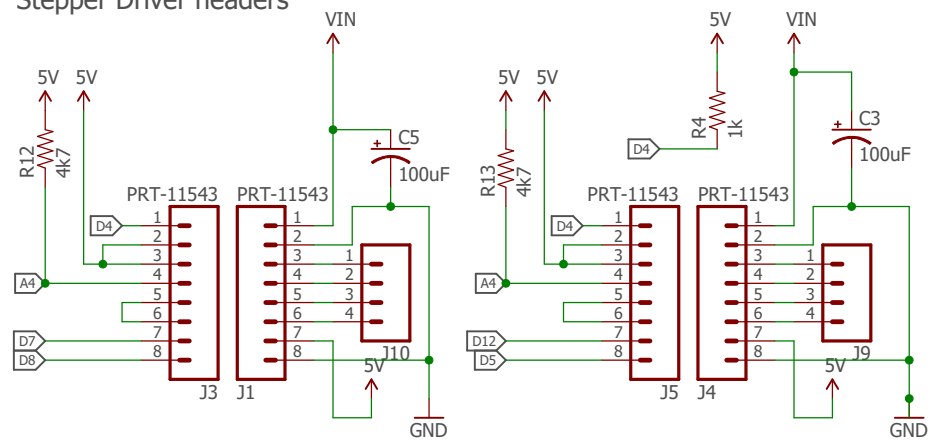
Arduino



Connectors



Stepper Driver headers



B-ROBOT Project Arduino shield (for Leonardo board) v1.04

Project url: <http://jjrobots.com/b-robot/>

Designed by JJROBOTS.COM (Jose Julio & Juan Pedro)

Released under the Creative Commons attribution share-alike 3.0 license