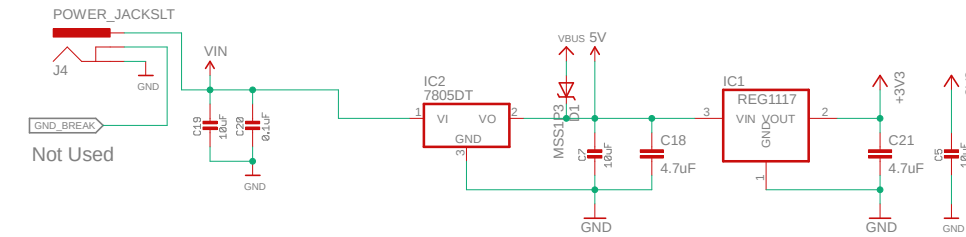
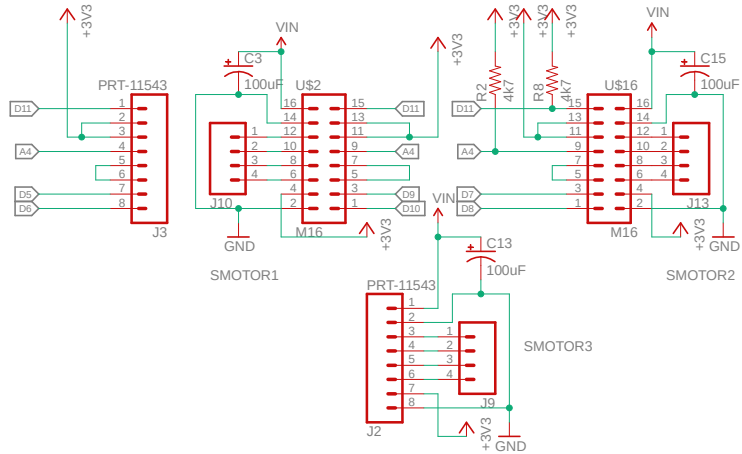


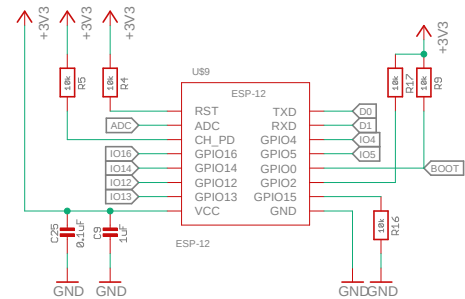
Power Supply



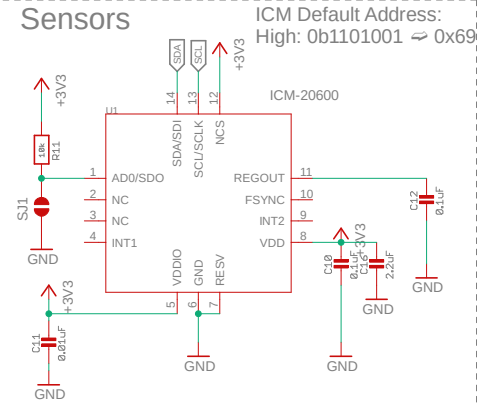
Stepper Motor Drivers



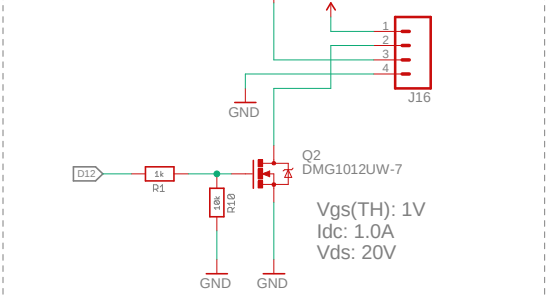
WiFi Board



Sensors



Aux Output



MicroController and connectors

